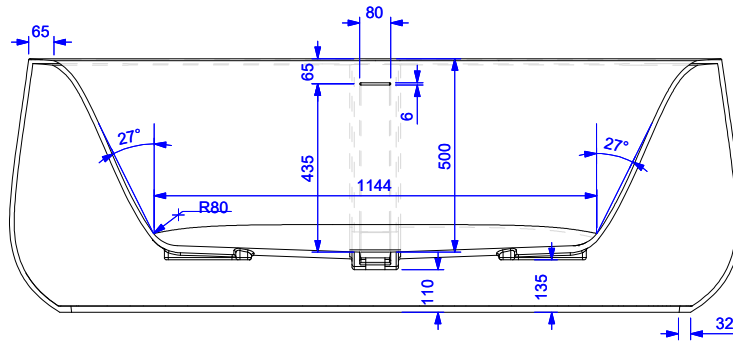
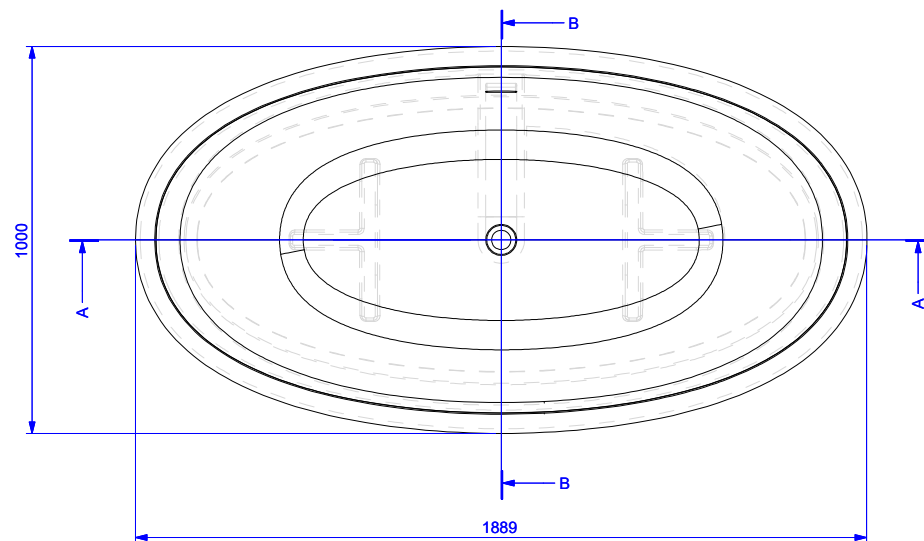
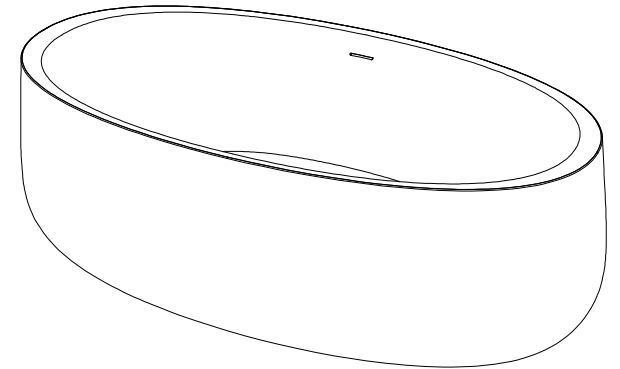
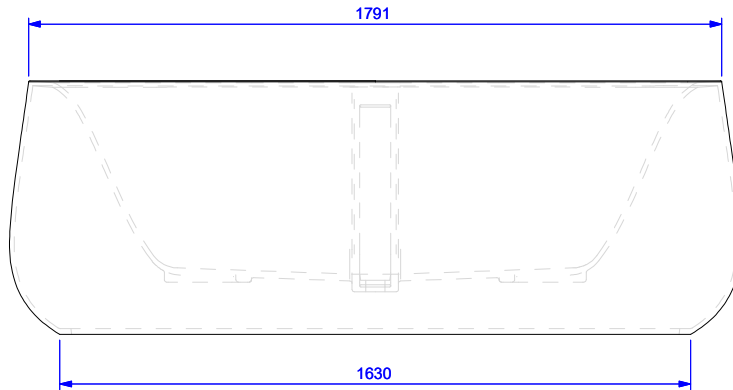
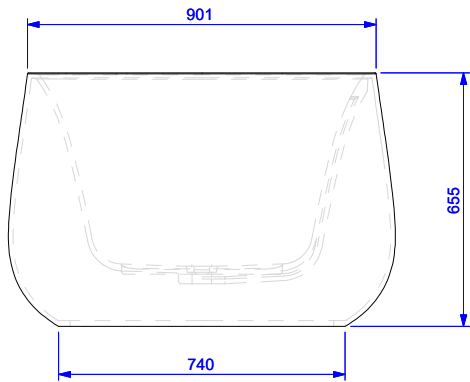



section BB



section AA



DRAWN Maurizio Amato	2021-05-31			
CHECKED				
QA		TITLE		
APPROVED		<h1>LEAH BATHTUB</h1>		
		SIZE C	DWG NO	REV
		SCALE		SHEET 1 OF 1